



BLUEY HUG CARD

Make a special bluey hug card for someone you love!

WHAT YOU NEED:

- Light blue A4 cardboard
- Scissors
- Glue
- A Pen

Cut out bluey's face and glue bottom 1/3 to the top of a folded A4 card



BLUEY

Cut out and glue in centre of the card



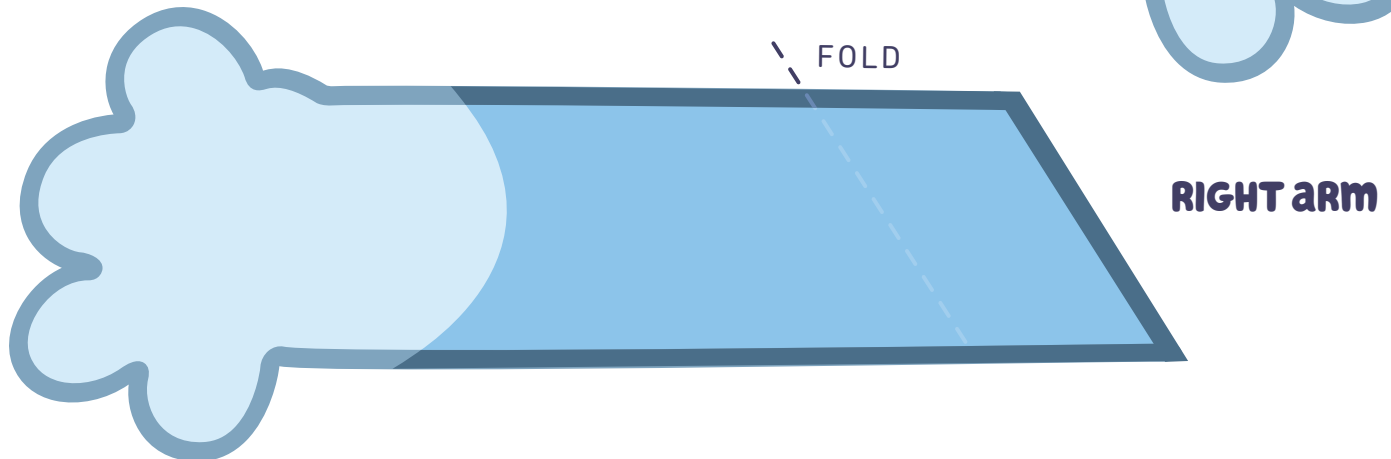
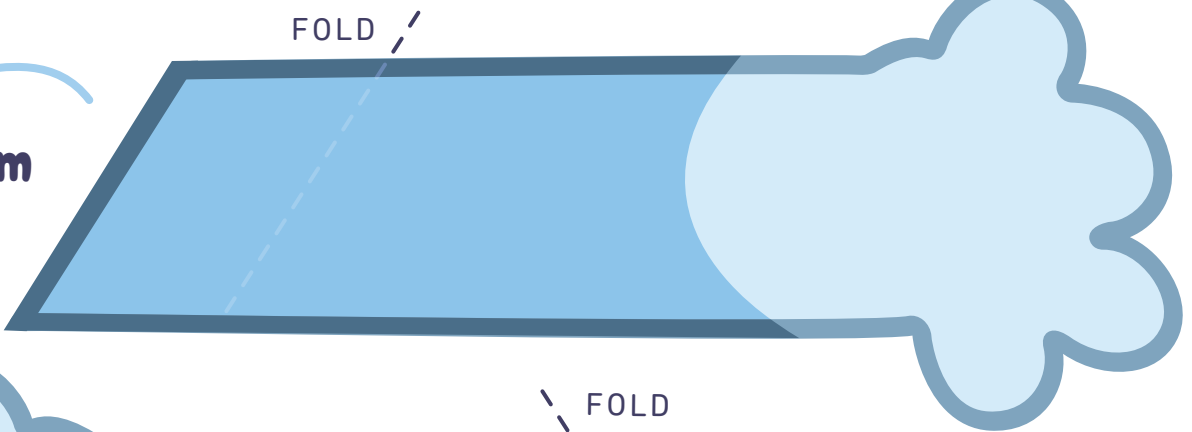
HEART



Cut out, fold and glue to the back of the card



LEFT ARM



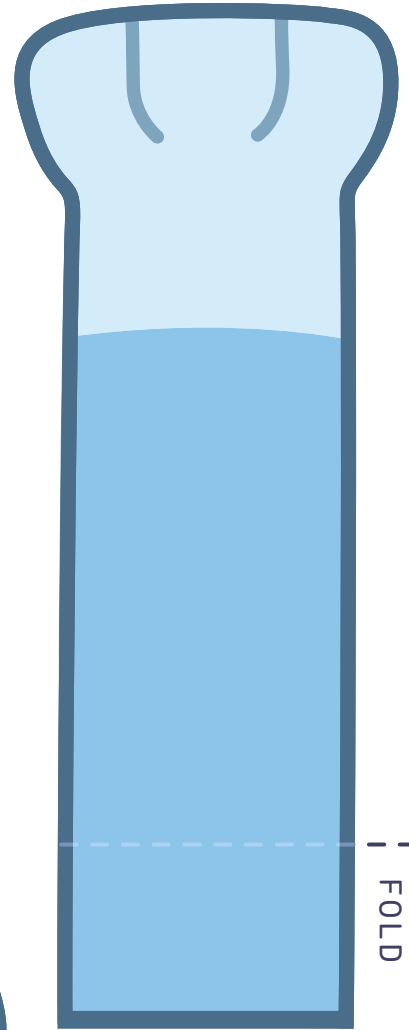
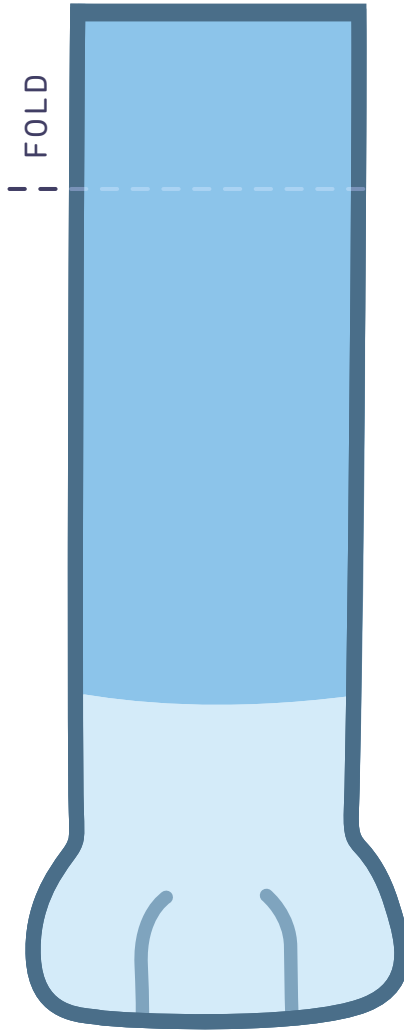
RIGHT ARM

Cut out, fold and glue to the bottom of the inside of the card



LEG

FOLD



FOLD

LEG